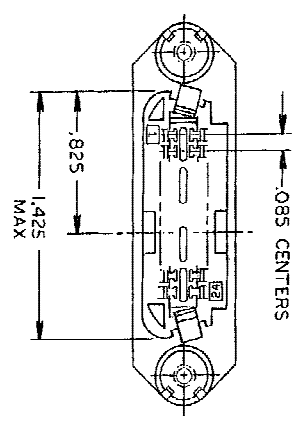
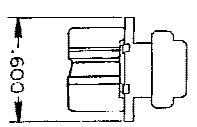
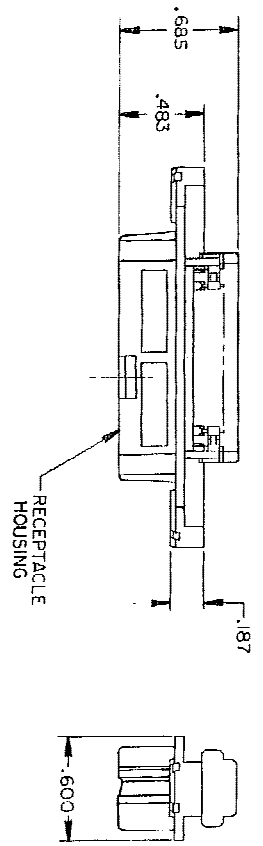
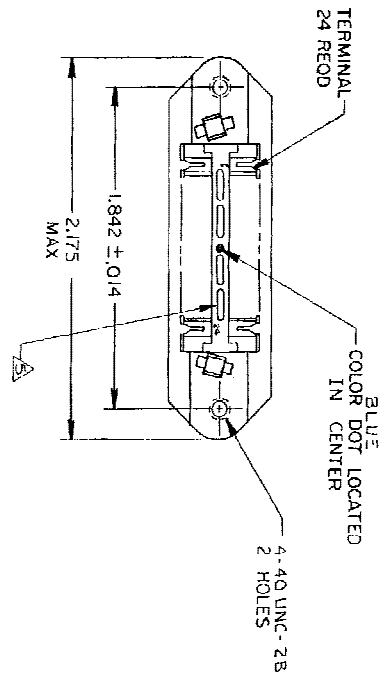


REV	DATE	DESCRIPTION	BY	CHKD
00	2/1/NOV/04	ZR	WM	
L		REVISED PER ECO-06-00653		



1. THE CONTACT SURFACES OF THE TERMINALS ARE COATED WITH LUBRICANT.
2. ALL DIMENSIONS SHOWN ARE FOR REFERENCE ONLY UNLESS OTHERWISE SPECIFIED.
3. MATERIAL: HOUSING - THERMOPLASTIC (BLACK)
TERMINALS: - HIGH STRENGTH COPPER ALLOY PLATED WITH .000030 MIN GOLD OR GOLD FLASH OVER .000030 MIN PALLADIUM NICKEL ON CONTACT MATING SURFACE. .000050 MIN NICKEL UNDERPLATE OVER ENTIRE TERMINAL.
4. WIRE SIZE: 24 & 26 AWG SOLID & 24 AWG 7 STRANDS OF COPPER CONDUCTORS. MAX INSULATION DIAMETER OF .045 IS ACCEPTABLE FOR MOST APPLICATIONS.

△ CORING MAY OR MAY NOT APPEAR AND IS AT THE DISCRETION OF TYCO ELECTRONICS.

THIS DRAWING IS A CONTROLLED DOCUMENT		REV	12-20-79	DATE	1-4-80
DRAWINGS		APP	WARD	DATE	1-4-80
DIMENSIONS		PROD	SPC	DATE	1-4-80
TOLERANCES		APPL	SPC	DATE	1-4-80
MATERIAL		RECD		DATE	1-4-80
CUSTOMER DRAWING		SCALE	NIS	SHEET	1 OF 1

AS SHOWN	552313-1
DESCRIPTION	PART NO

tyco
Electronics
Tyco Electronics Corporation
Huntingburg, IN 47106-5098

ASSEMBLY RECEPTACLE
24 POSITION, B SIDE
CHARACTERISTICS: 4-410 HOLES

SCALE: NIS
SHEET: 1 OF 1